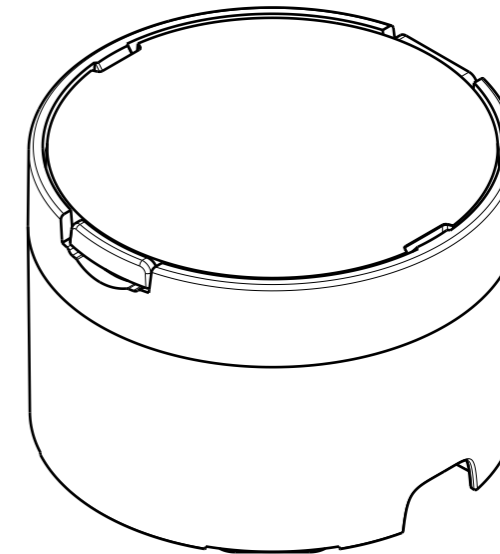
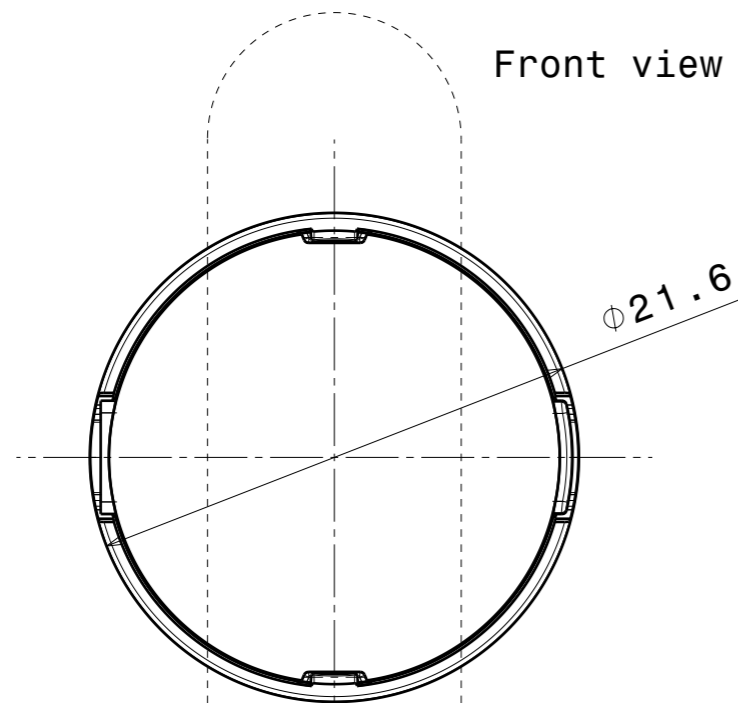


Front view

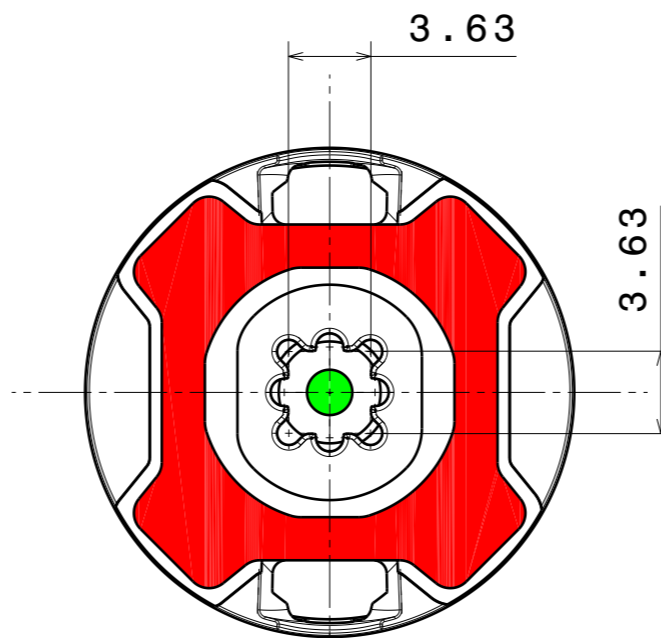


Isometric view  
Scale: 3:1



Top view

0-90 beam direction



Bottom view

CA11484\_LXP2-0-90

**COMPONENTS**

| INDEX | PART                     | TYPE | MATERIAL | COLOR / COATING |
|-------|--------------------------|------|----------|-----------------|
| 1     | C12339_LXP2-0-90         |      | PMMA     | clear           |
| 2     | C11480_LXP2-LH1-TAPE-BLK |      | PC       | black           |
| 3     | C11269_HEIDI-TAPE        |      | Tape     | black           |

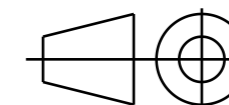
**MECHANICAL DRAWING**

PRODUCT  
**LEILA**

**LEDiL®**

Plastic moulding general tolerances according to DIN 16901-130 and applies if not otherwise shown in the drawing.  
Silicone moulding general tolerances according to ISO 3302-1 Class M3 and applies if not otherwise shown in the drawing.

FIRST ANGLE PROJECTION:



This drawing is the property of LEDiL Oy. It may not be copied or otherwise distributed without prior written permission from LEDiL Oy.

SCALE 3:1

WEIGHT 4,4 g

A3 SHEET 1/1

**Notes**

|  |   |
|--|---|
|  | PCB or heatsink level.  |
|  | LED location  |
|  | Ensure LED fitting from a product specific 3D model available from <a href="http://www.ledil.com">www.ledil.com</a>         |
|  | For more details about installation please see LEDiL Installation Guide on <a href="http://www.ledil.com">www.ledil.com</a> |